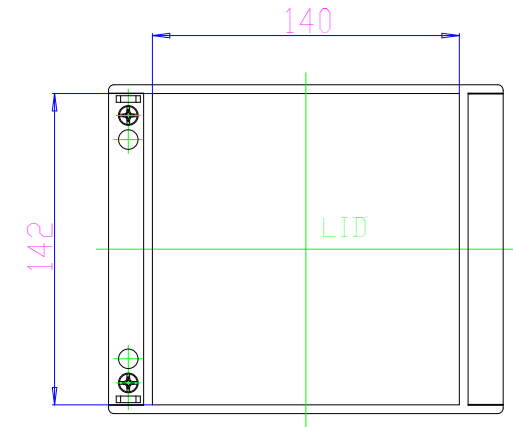
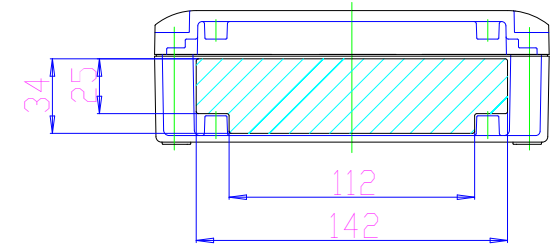
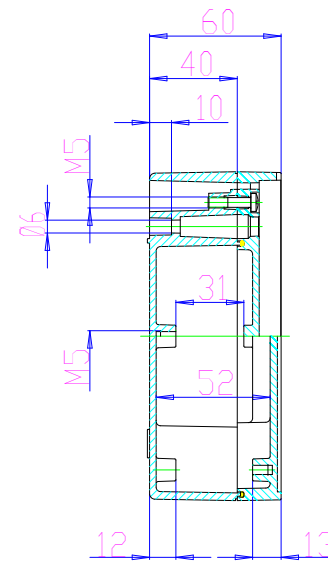
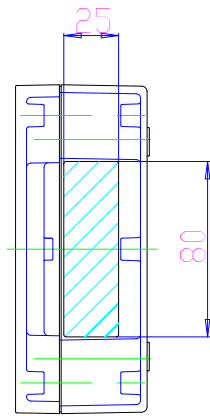
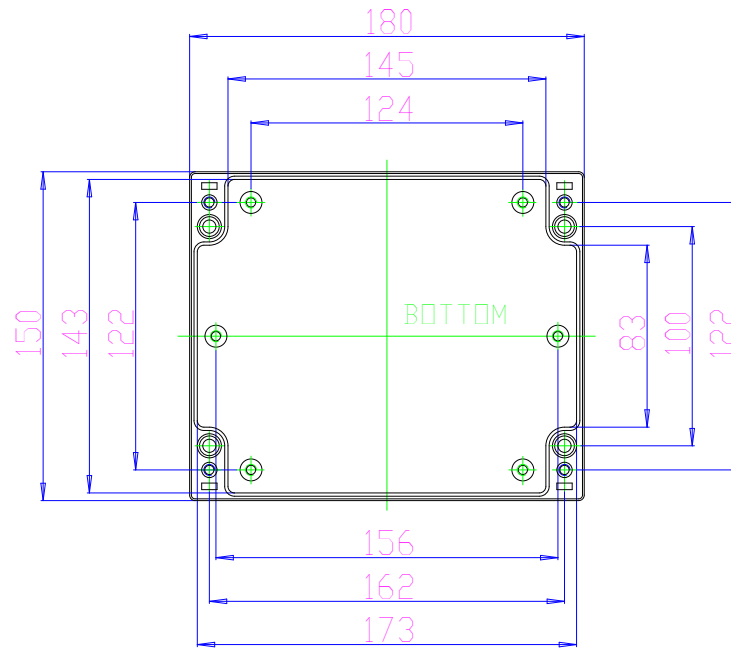
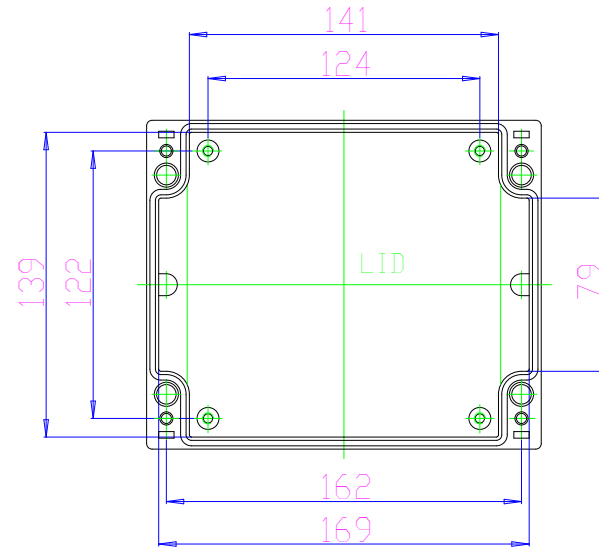


- AVAILABLE ACCESSORIES:
 -ALUMINUM TRIM COVERS
 -HINGES
 -INSERT LOCKS
 -CHROMATIZING
 -CORROSION PROOF COATING
 -SHIELDING
 -INGRESS PROTECTION IP67



NOTES

- MATERIAL-ALUMINUM DIE-CAST: GD SI 12 / DIN: 1725
 LID SCREWS-CAPTIVE STAINLESS STEEL
 CLIP ON TRIM-PLASTIC PDM (POLY-DXYMETHYLENE) GREY RAL 7040
 RECESS IN THE TOP CAN ACCOMMODATE MEMBRANE KEYPADS
 INTEGRATED COVER BRACKETS PROVIDE STRAIN RELIEF FOR WIRING BETWEEN ENCLOSURE AND LID
 DEGREE OF PROTECTION NEMA 4X, IP66
 NEOPRENE OIL AND PETROL RESISTANT-THERMOPLASTIC GASKET (-40 C TO +140 C)
 TEXTURED POLYESTER POWDER COAT, GREY RAL 7040

For the best fit print on legal size paper.

 HAMMOND MANUFACTURING CO. LTD.
 Electronics Group, Waterloo, Ont. - Cheektowaga, NY

VISIT US ON THE WORLD WIDE WEB: WWW.HAMMONDMFG.COM

THIS DRAWING IS PROPRIETARY INFORMATION OF HAMMOND MFG.CO.LTD. NOT TO BE USED WITHOUT EXPRESSED WRITTEN PERMISSION OF HAMMOND MFG.CO.LTD.

Dwg Rev. # -

Mat'l DIE-CAST ALUMINUM



Sheet 1 of 1

ROLEC aluCASE SERIES
 ENCLOSURES

Part# R190-150-000

Dwg: ACF 150